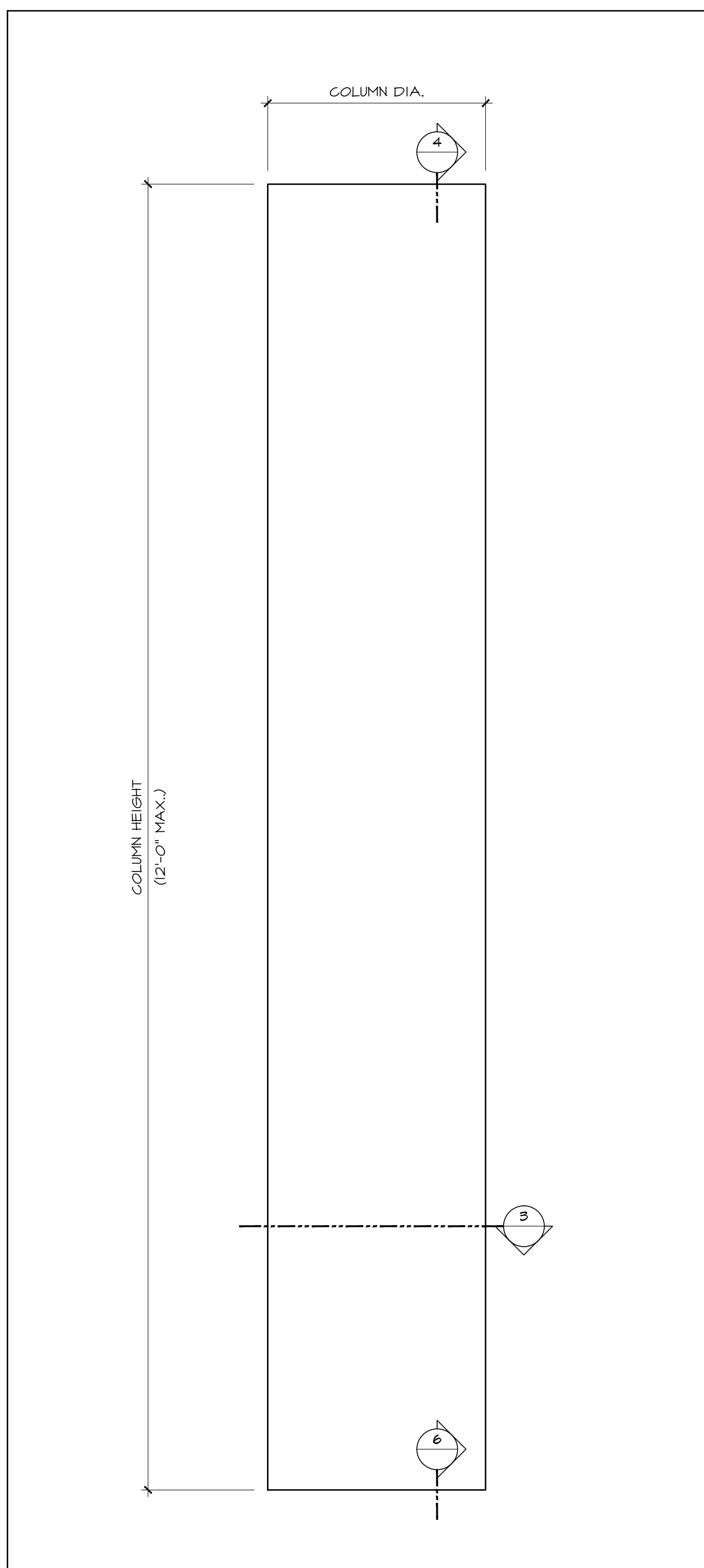
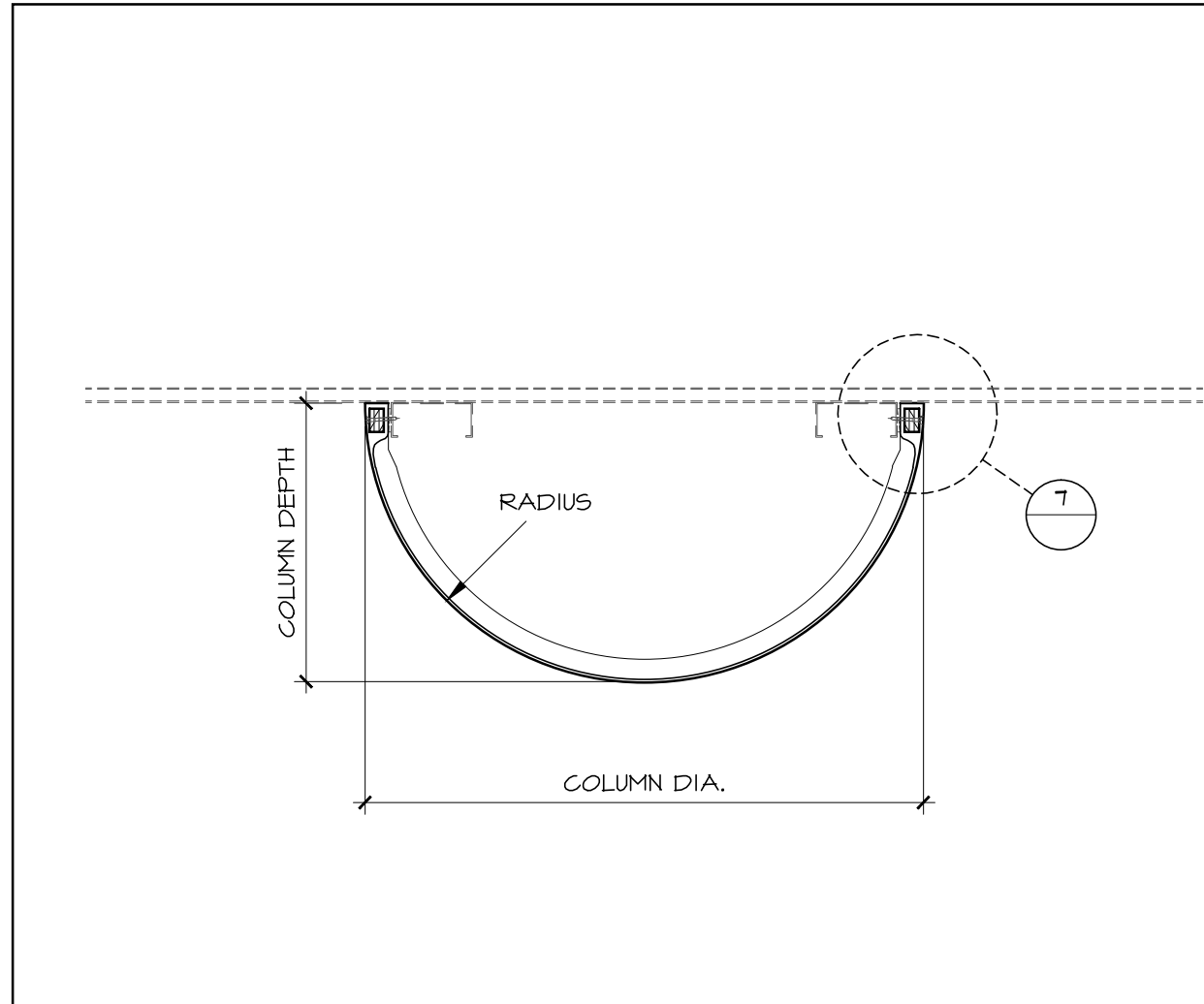


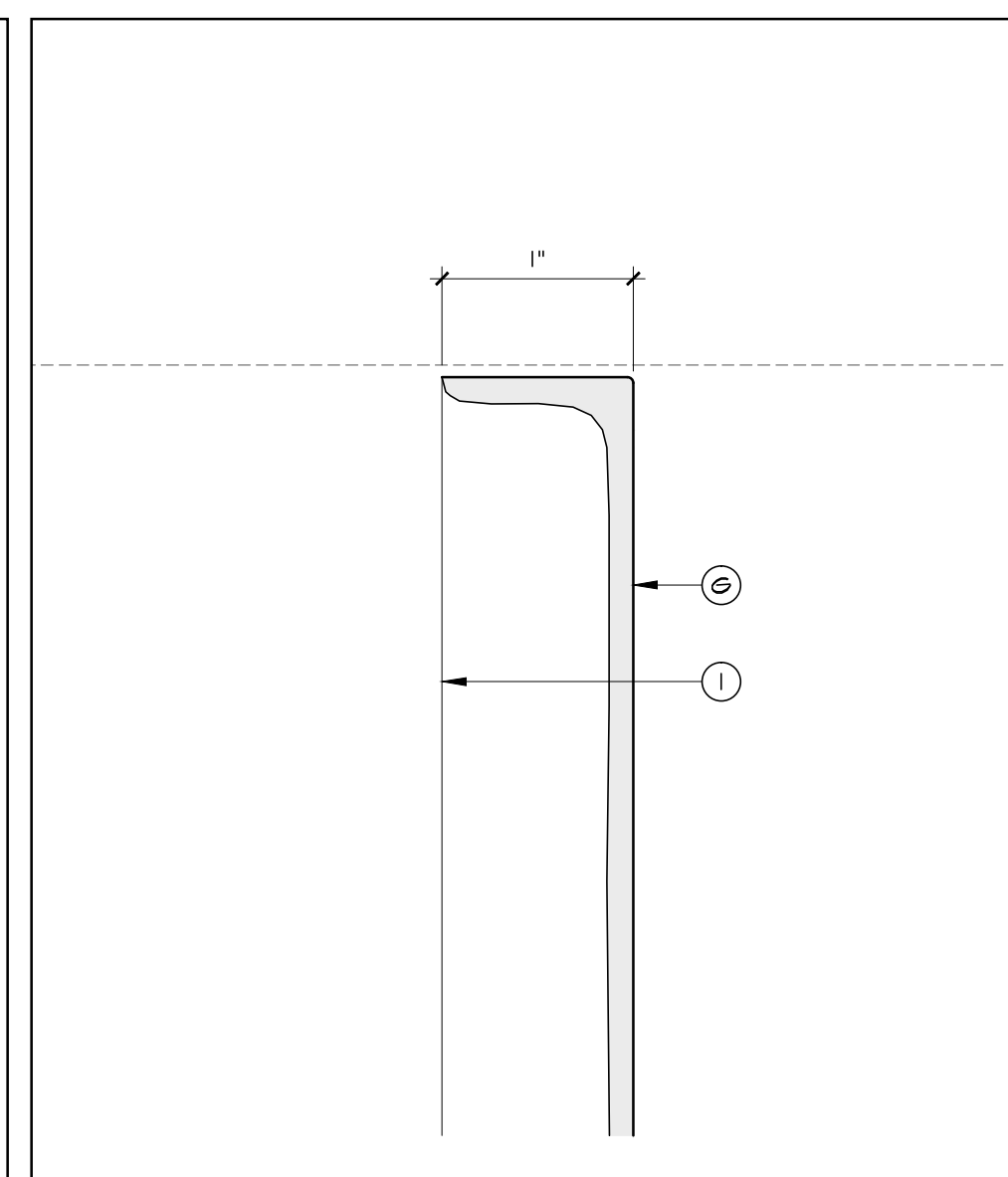
1 COLUMN ELEVATION
SCALE: 1"=1'-0"
REF:



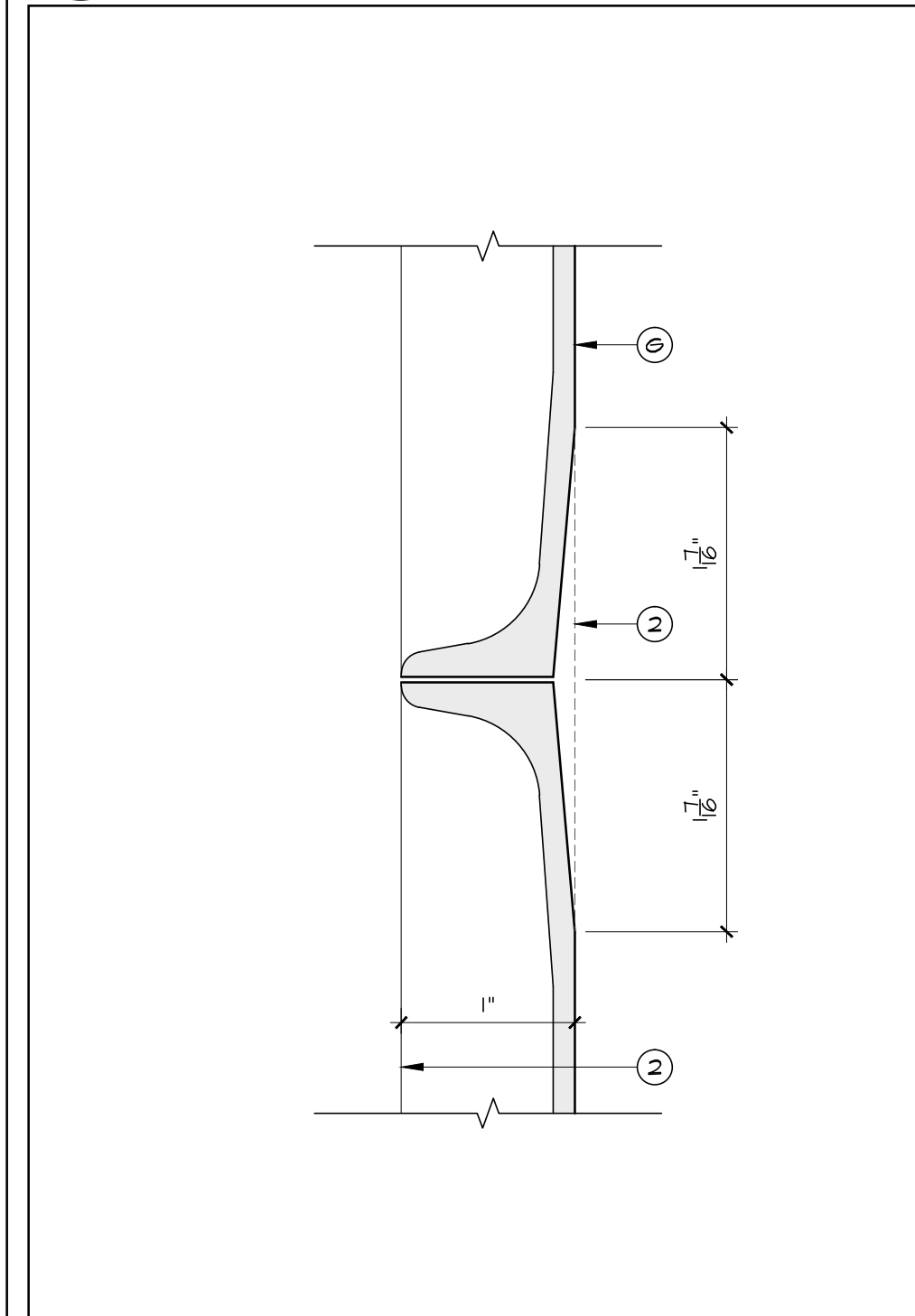
2 COLUMN ELEVATION
SCALE: 1"=1'-0"
REF:



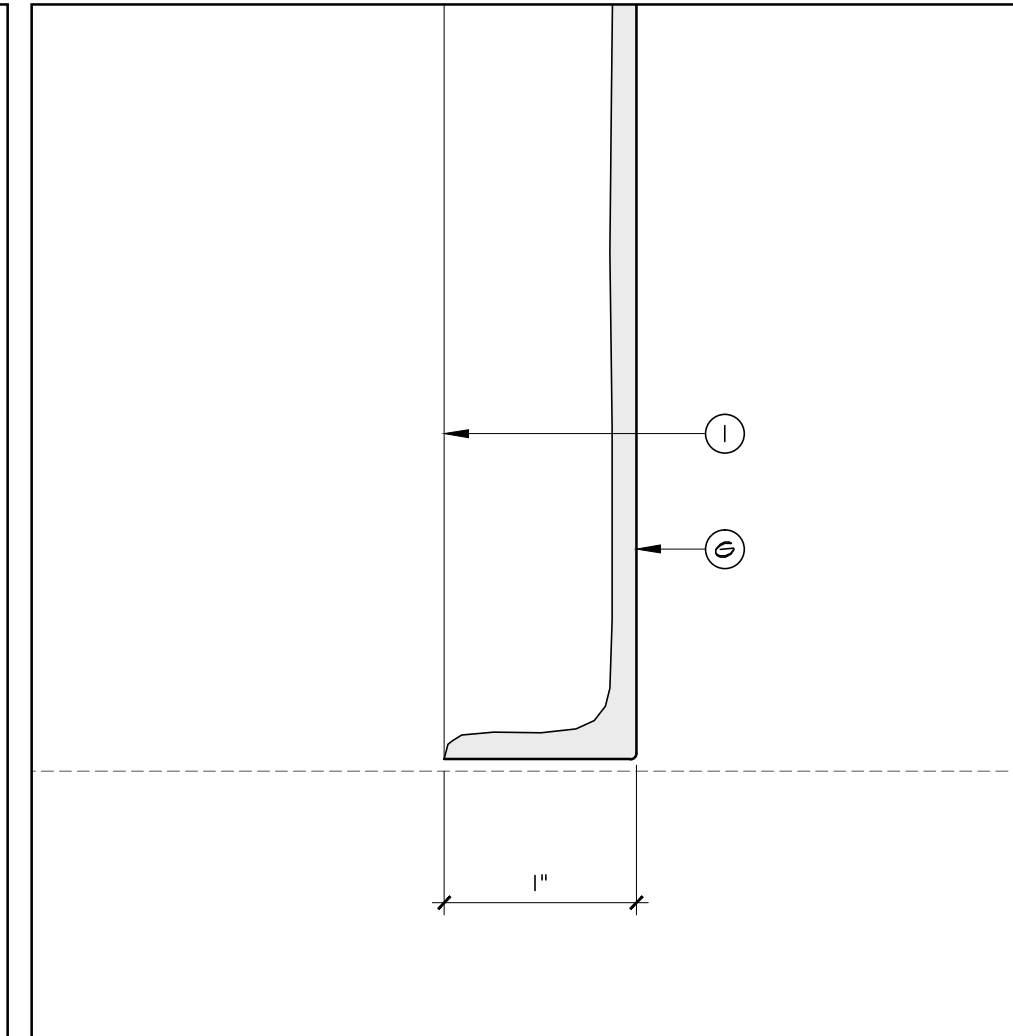
3 COLUMN PLAN SECTION
SCALE: 1 1/2"=1'-0"
REF:



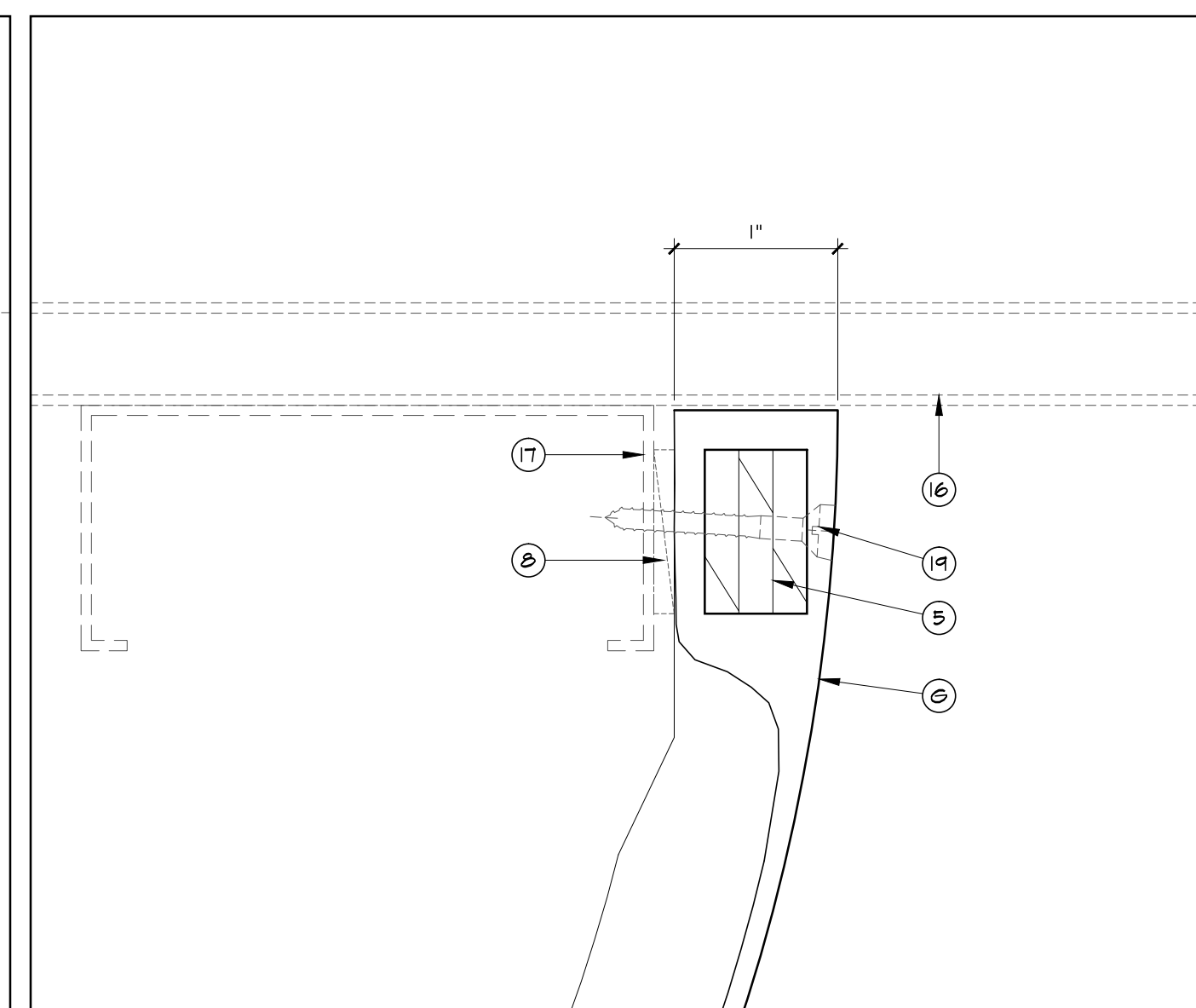
4 DETAIL AT COLUMN TOP
SCALE: FULL
REF:



5 HORIZONTAL STACK JOINT
SCALE: FULL
REF:



6 DETAIL AT COLUMN BOTTOM
SCALE: FULL
REF:



7 VERTICAL JOINT DETAIL
SCALE: FULL
REF:

STANDARD LEGEND
G.R.G. (G/PG)

(G) G.R.G. [GLASS REINF. GYPSUM]	
(PG) G.R.G. [FACTORY FINISHED]	
1 FLANGES	WOOD FLANGES
2 TAPE REVEAL [FIELD TAPED]	STEEL FLANGES
3 JOINT [V]	
4 DRAFT	
5 PLYWOOD REINF. [CONT.'S]	
6 PLYWOOD BLOCK INSERT	
7 N/A	
8 STEEL "L" OR "Z" [NOT CONT.'S]	16 DRYWALL OR PLYWOOD BACKING
9 BUILT-IN "U" REINF. [CONT.'S]	17 FRAMING, BLOCKING, ETC.
10 BUILT-IN ROD REINF.	18 SHIMS
11 BUILT-IN LOOP [HANGER]	19 SCREWS [FILLED AS REQ'D]
12 BUILT-IN WOOD GUSSET	20 CAULKED JOINT
13 BEVEL EDGES / CORNERS	21 ADHESIVE
14 FALSE JOINT	22
15 N/A	23
	24

BY OTHERS

MISCELLANEOUS

(XX) NUMBER DENOTES RECOMMENDED INSTALLATION SEQUENCE

* ASTERISK DENOTES SITE CUT PART

ALL BUILT-IN STEEL IS GALVANIZED

CERTIFICATION

FORMGLAS IS REGISTERED AS AN ISO 9001-2000 COMPANY

- G.R.G. NOTES**
ALWAYS FIELD FINISHED
- 1. INSTALLATION**
- FASTENING, SUSPENSION AND BRACING METHODS INDICATED ARE TO BE CONSIDERED A GUIDE ONLY. THE INSTALLATION CONTRACTOR SHALL ABIDE BY LOCAL CODES, VERIFY JOB CONDITIONS AND ADJUST INSTALLATION PROCEDURES ACCORDINGLY.
 - SOME SITE CUTTING AND/OR GRINDING OF PARTS MAY BE REQUIRED.
- 2. TAPING AND CONTROL JOINTS (WHERE APPLICABLE)**
- FOLLOW U.S.G. GYPSUM CONSTRUCTION HANDBOOK (LATEST EDITION) REGARDING TAPING METHODS AND CONTROL JOINTS.
- 3. PAINTING**
- SURFACE IMPERFECTIONS WILL OCCUR AT TIMES. SAND OR PATCH WITH SPACKLE / PAINT FILLER COMPOUNDS. FOLLOW A.S.T.M.C. 840 PAINT SPECIFICATIONS REGARDING SEALING AND FINISHING TO AVOID TAPE JOINT READ THROUGH.
 - GLOSS PAINT IS NOT RECOMMENDED.
- 4. DRAFT ANGLES AND RADI**
- DRAFT ANGLES ARE REQUIRED FOR MOLD RELEASE. UNLESS SPECIFICALLY NOTED, REVEALS, SETBACKS OR RETURNS WILL BE DRAFTED BETWEEN 5° AND 10°. ALL CORNERS WILL HAVE A SLIGHT RADIUS UNLESS SPECIFICALLY NOTED.
- 5. TOLERANCES**
- | | |
|-------------------------------|-------------------------------|
| SHELL THICKNESS | ± 1/16" (1.6MM) |
| DIMENSIONAL IN ALL DIRECTIONS | (MIN.) ± 1/8" (3.2MM) |
| WARPAGE OR BOWING | ± 1/16" PER FT (0.5MM PER CM) |
- FIELD SHIMMING MAY BE REQUIRED
- 6. ITEMS EXCLUDED**
- UNLESS SPECIFICALLY NOTED, HARDWARE, CLIPS, FASTENERS, ADHESIVE, CAULKING, TAPING MATERIALS, etc. ARE TO BE SUPPLIED BY OTHERS.
- 7. SEE FORMGLAS SPECIFICATIONS**
- FOR ADDITIONAL INFORMATION
- 8. NOTE**
- ALL "CUSTOM MOLDS" WILL BE DESTROYED ONE MONTH AFTER DELIVERY OF MATERIALS. CONTRACTOR/ OWNER MAY NEGOTIATE TO RETAIN MOLDS.
- 9. NOTE**
- DRAWING APPROVAL CONSTITUTES REVIEW OF CONTENT. STANDARD LEGEND, GENERAL NOTES, COLORS, FINISHES/PATTERN AND DIMENSIONAL VERIFICATION. FORMGLAS PRODUCTS LTD. WILL PROCEED WITH MANUFACTURING UPON RECEIPT OF WRITTEN APPROVAL OF SHOP DRAWINGS.

ISSUED FOR APPROVAL

REVISIONS	DATE
-----------	------

Formglas
Products Ltd.

2 CHAMPAGNE DRIVE, TORONTO, ONT. M3J-2C5 CANADA
TEL: (416) 635-8030 FAX: (416) 635-6588
338 FOURTEEN ST, SUITE 150 AMBRIDGE, PA 15003 USA
TEL: (724) 266-1220 FAX: (724) 266-7174
AVE. RUBILINA 88, PARQUE INDUSTRIAL PALAÇO, MEXICALI, B.C.
TEL: (686) 582-7609 FAX: (686) 582-7615
E-MAIL: ENG@FORMGLAS.COM

GRG HALF ROUND COLUMN ELEVATIONS/PLAN/DETAILS

DATE:	SCALE: AS SHOWN
DRAWN:	CHECKED:
DRWG:	

DATE: 03_OCT_2011 - 4:56PM
FILE NAME: G:\BRAO\STANDARD DRAWINGS\GRG HALF ROUND COLUMN DETAILS.DWG